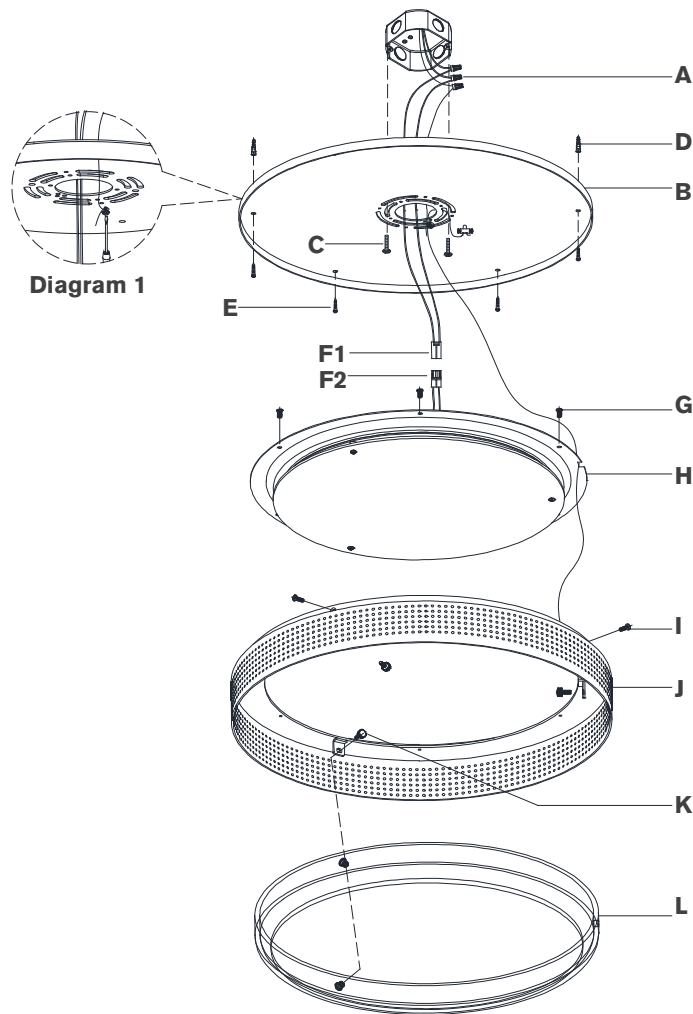


ASSEMBLY INSTRUCTIONS



Precision 18" Round Flush Mount

Item # KW4082

NOTICE:

This light fixture should be installed in accordance with all applicable, local installation codes, and by a person familiar with the construction and operation of it, as well as the hazards involved. Inspect item and contents carefully. If any damage or defect is found, do not install. Retain all packaging material until installation is complete and approved.

TOOLS REQUIRED (NOT INCLUDED):

Phillips Screwdriver Slotted Screwdriver Drill
Pencil Hammer

PERSONS REQUIRED: Two

1. Carefully remove all parts from the box. Place on a clean, soft surface.
2. Remove metal shade (**J**) from mounting plate (**B**) by removing screws (**I**).
3. Remove light source (**H**) from metal shade (**J**) by removing screws (**G**).
4. Using mounting plate (**B**) as a guide, line up with the junction box and mark anchor positions.
5. Using a drill bit slightly smaller than the anchor, drill holes in the marked positions. Install anchors (**D**) into the holes using hammer.
6. Install mounting plate (**B**) to the junction box and secure with mounting screws (**C**), then secure wood screws (**E**) to anchors (**D**).
7. Remove quick connector (**F1**) from light source.
8. Wrap supply ground wire (usually green or bare copper) around the green grounding screw (see diagram 1).
9. Connect fixture neutral wire (white) to the supply neutral wire (usually white) using wire nut (**A**).
10. Connect fixture hot wire (black) to the supply hot wire (usually black) using wire nut (**A**).
11. Make sure all wire connections are tight, then carefully tuck into the junction box.

